

Client _____ Quantity _____
 Project _____ Position _____

Pass-Through

Model: J170/4MV2

Cod: J12170200501

Pass-Through refrigerated cabinet for GN2/1 trolleys, 4 doors, two of which are glass doors. Plug-in refrigeration unit, 4 climatic class and R290 ecological refrigerant gas. Led strip lighting, snap handle with lock and key as standard. Temperature range -2°+8°C with ventilated refrigeration hot gas defrost. 75 mm insulation thickness - HFO with high insulation performance and low environmental impact (CFC, HCFC, HFC free); easily replaceable triple chamber magnetic gasket. One-piece structure, interior/exterior AISI 304 stainless steel, exterior galvanised steel back. Rounded inner corners for easy cleaning. Replaceable refrigerant system FSS - Fast Service System - for quick and easy service. Predisposed for connection to Cosmo remote supervision system and ModBus/RTU Rs485 connection.



Technical data

Gross capacity:	1865 lt
Temperature range:	-2°+8°C
Refrigerant unit:	Plug-in
Climate class:	4
Cooling gas:	R290 (GWP=3)
Refrigerant Charge:	80g
Defrost:	Hot gas
Valve:	Supplied standard with solenoid
Dimensions:	1620×880×2115 mm
Packing dimensions:	1650×920×2260 mm
Net / gross weight:	260 Kg / 286 Kg
Net / gross volume:	706 lt / 1865 lt
Voltage:	220-240 V - 50 Hz
Total rate:	390W - 1,8A
Cooling capacity:	713 W*
*:	Evap. -10°C Cond. +55°C

Features

Standard equipment:	LED lighting
Control:	Electronic, display flush with the panel
Doors:	1 aluminium door, self-closing with 105° latch, right-hand hinges
Door gasket:	Magnetic, triple chamber and easily replaceable
Insulation:	75 mm thickness - CFC/HCFC free
Exterior/interior finishing:	Exterior and interior AISI 304 stainless steel. Back in galvanized steel
Inner corners:	Rounded for easy cleaning and ensuring maximum hygiene
Handle:	Snap-in chrome with integrated lock
Cosmo:	Predisposed for Cosmo Hub connection

In order to constantly offer the best possible products we reserve the right to make changes on technical specifications without incurring any obligation for equipment previously or subsequently sold.

Accessories and variants

Alimentazione frequenza 60Hz

Trolley GN2/1 20 trays 598x660x1630 mm

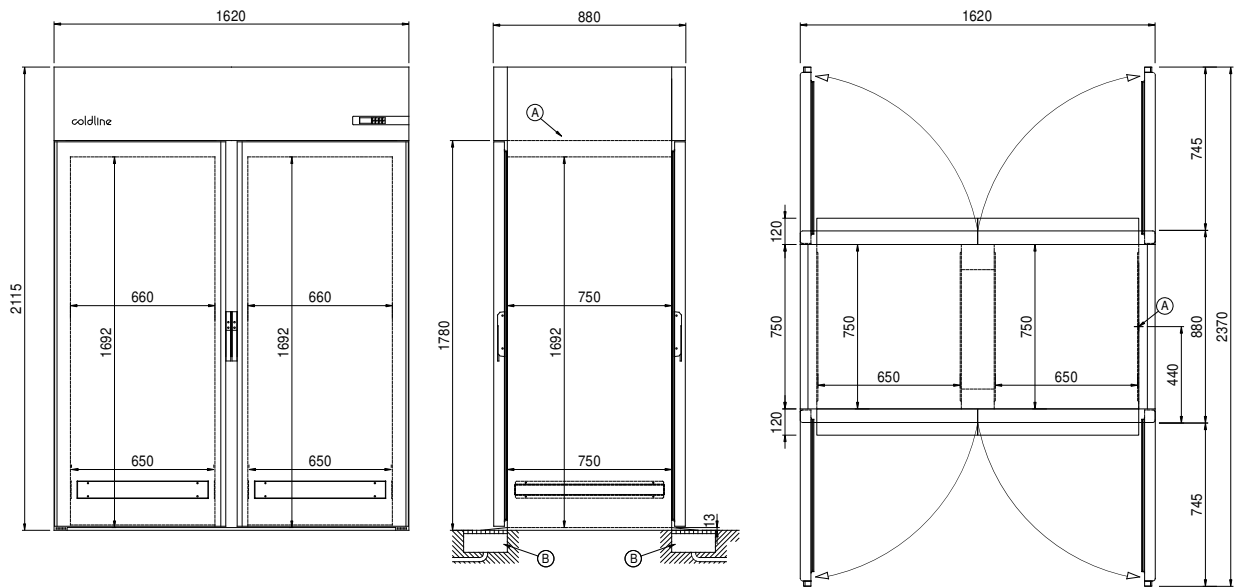
Other special voltage

Cosmo cable connection kit

COSMO - wi-fi control

Cosmo is The Nice Kitchen's exclusive wi-fi technology that allows Coldline, Modular and Nevo appliances to be connected and monitored from a smartphone. The cabinet, connected with Cosmo kit via cable to a Cosmo hub (MODI, VISION, THAW.PRO, Levtronic, QUBI) or with Cosmo wi-fi kit, can be monitored by the CosmoApp and receive alerts in case of abnormal operation.

Technical draw



A: Power supply cable outlet

B: Condensation water drain