

Client \_\_\_\_\_ Quantity \_\_\_\_\_  
 Project \_\_\_\_\_ Position \_\_\_\_\_

## Snack GN counter 2 doors

Model: TP12/1M-490

Cod: T10281000204

Tavolo refrigerato Snack con piano, Plug-In, 2 porte lunghezza 1200 mm con altezza corpo tavolo 490 mm, classe energetica A, classe climatica 5 heavy duty e gas refrigerante ecologico R290. Completo di 1 griglia GN1/1, configurabile con cassettiere 1/1, 1/2+1/2. Range di temperatura -2°+8°C con refrigerazione ventilata. Struttura con isolamento 60 mm. Interno/esterno in acciaio inox AISI 304 compreso schiena esterna, fondo esterno in acciaio colaminato. Realizzato con tecnologia FSS - Fast Service System - per un service facile e veloce. Predisposto per collegamento a sistema di supervisione remoto.



### Technical data

|                          |                                 |
|--------------------------|---------------------------------|
| Top:                     | With top                        |
| Temperature range:       | -2°+8°C                         |
| Refrigerant unit:        | Plug-In                         |
| Energetic class:         | A                               |
| Energy efficiency index: | 19,9                            |
| Annual consumption:      | 409 kW/h annum                  |
| 24h consumption:         | 1,121 kW/h/24h                  |
| Climate class:           | 5                               |
| Cooling gas:             | R290                            |
| Refrigerant Charge:      | --                              |
| Defrost:                 | Hot gas                         |
| Body height:             | 490 mm                          |
| Valve:                   | Supplied standard with solenoid |
| Dimensions:              | 1200×700×630 mm                 |
| Packing dimensions:      | 1395×800×998 mm                 |
| Voltage:                 | 220-240 V - 50 Hz               |
| Cooling capacity:        | 406 W*                          |
| *:                       | Evap. -10°C Cond. +55°C         |

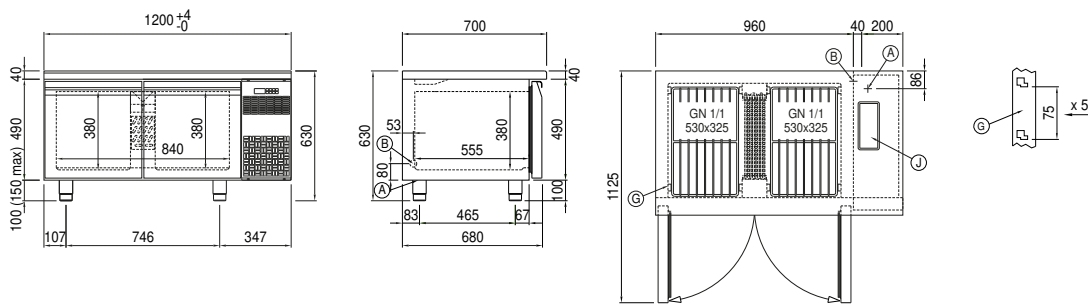
### Features

|                              |   |
|------------------------------|---|
| Standard equipment:          | 2 slides, 2 plastic coated GN1/1 shelves  |
| Control:                     | Electronic, display flush with the panel  |
| Doors:                       | 2 doors, self-closing, reversible with 105° stop                                  |
| Door gasket:                 | Magnetic, triple chamber and easily replaceable                                   |
| Insulation:                  | 60 mm thickness - CFC/HCFC free   |
| Exterior/interior finishing: | Exterior interior and back in AISI 304 stainless steel. Base in colaminated steel |
| Inner corners:               | Rounded for easy cleaning and ensuring maximum hygiene                            |
| Handle:                      | Stainless steel AISI 304, 2 mm thick  |
| Racks and slides:            | Stainless steel AISI 304  |
| Feets:                       | Stainless steel AISI 304, adjustable h 100-150 mm                                 |
| Cosmo:                       | Ready for connection to Cosmo Hub   |

## COSMO - wi-fi control

Cosmo is the wi-fi technology that allow to connect and monitor all Coldline appliances. Connect Snack counters to a Cosmo hub (MODI, VISION or LEVTRONIC) and from the app you can check the operating conditions of each machine and receive alerts in case of abnormal functioning.

## Technical draw



A: Power supply cable outlet

B: Condensation water drain

G: Racks pitch

J: Automatic evaporation of condensing water