

Client _____ Quantity _____
 Project _____ Position _____

Master 700 XL cabinet

Model: AS70/1MV

Cod: A14070200602



Master 700 XL refrigerated cabinet, 1 door. Plug-in refrigeration unit, B energetic class, 4 climatic class and R290 ecological refrigerant gas. Equipment: 3 650x588 mm plastic coated shelves, lock with key, led strip lighting. Temperature range - 2°+8°C; ventilated refrigeration. The sturdy moulded slides, attached to the sides of the chamber, allow rapid repositioning of the XL shelves into the 7 available levels, providing +10% extra storage space for ingredients and semi-finished products. Anti-corrosion treated evaporator, hot gas defrost. 75 mm insulation thickness - HFO with high insulation performance and low environmental impact (CFC, HCFC, HFC free). Black plastic handle and magnetic triple chamber door gasket, easily replaceable. Reversible, self-closing door opening with 105° stop. One-piece structure, interior/exterior AISI 304 stainless steel; outside back, external base and inside technical compartment in galvanised/colaminated steel. rounded inner corners for easy cleaning. The reinforced modular base in colaminated steel allows installation on wheels, feet, mobile or masonry plinths. Replaceable refrigerant system FSS - Fast Service System - for quick and easy service. Predisposed for connection to Cosmo remote supervision system and ModBus/RTU Rs485 connection.

Technical data

Gross capacity:	601 lt
Temperature range:	-2°+8°C
Refrigerant unit:	Plug-in
Energetic class:	B
Energy efficiency index:	34,2
Annual consumption:	489 kW/h annum
24h consumption:	1,340 kW/h/24h
Climate class:	4
Cooling gas:	R290 (GWP=3)
Refrigerant Charge:	105g
Defrost:	Hot gas
Valve:	Supplied standard with solenoid
Dimensions:	740×815×2085 mm
Packing dimensions:	835×930×2138 mm
Net / gross weight:	145 Kg / 165 Kg
Net / gross volume:	499 lt / 601 lt
Voltage:	220-240 V - 50 Hz
Total rate:	260W - 1,2A
Cooling capacity:	533 W*
*:	Evap. -10°C Cond. +55°C

Features

Standard equipment:	3 slides for 650x588 mm shelves, 3 plastic coated 650x588 mm shelves, lock with key
Control:	Electronic, display flush with the panel
Doors:	1 aluminium door, self-closing with 105° latch, right-hand hinges
Door gasket:	Magnetic, triple chamber and easily replaceable
Insulation:	75 mm thickness - CFC/HCFC free
Exterior/interior finishing:	Exterior and interior AISI 304 stainless steel. Back, base and internal technical compartment in galvanized/colaminated steel.
Inner corners:	Rounded for easy cleaning and ensuring maximum hygiene
Handle:	Stainless steel AISI 304, 2 mm thick
Racks and slides:	High-strength technopolymer guides fixed to the sides of the chamber
Feets:	AISI 304 stainless steel adjustable h 100/150 mm
Cosmo:	Predisposed for Cosmo Hub connection

In order to constantly offer the best possible products we reserve the right to make changes on technical specifications without incurring any obligation for equipment previously or subsequently sold.

Accessories and variants

Alimentazione frequenza 60Hz

Other special voltage

Half doors

Frame for fixed masonry plinth

RAL customisable colouring

Master Marine solutions

Predisposition for connection to CO2 remote control unit

Plug-in water unit

Foot pedal kit

4 Swivel and brake castors h 128 mm

Plastic coated shelf 650x588 mm

Serial interface, RS485 cable

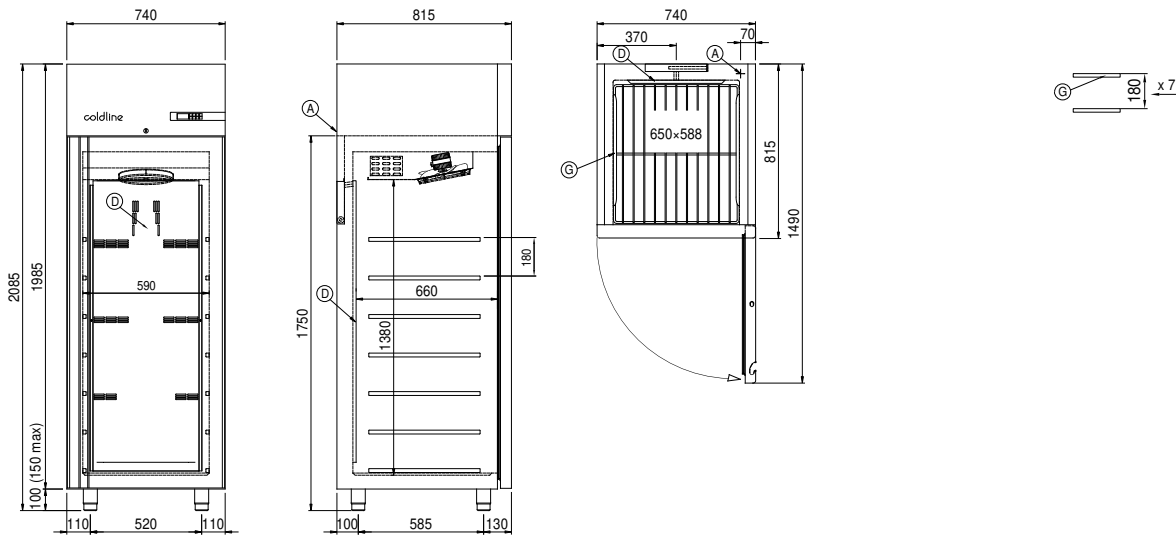
Cosmo cable connection kit

Cosmo wifi connection kit

COSMO - wi-fi control

Cosmo is The Nice Kitchen's exclusive Wi-Fi technology that allows Coldline, Modular and Nevo appliances to be connected and monitored from a smartphone. The cabinet, connected with Cosmo kit via cable to a Cosmo hub (MODI, VISION, THAW.PRO, LEVTRONIC, QUBI) or with Cosmo Wi-Fi kit, can be monitored by the CosmoApp and receive alerts in case of abnormal operation.

Technical draw



A: Power supply cable outlet

D: Airflow conveyor

G: Racks pitch