

Client _____ Quantity _____

Project _____ Position _____

Smart GN counter 3 doors

Model: TP17/1BE-710

Cod: T11301000401



Technical data

Top:	With top
Gross capacity:	440 lt
Temperature range:	-15°-22°C
Refrigerant unit:	Plug-in
Energetic class:	D
Energy efficiency index:	72,7
Annual consumption:	2891 kW/h annum
24h consumption:	7,921 kW/h/24h
Climate class:	5
Cooling gas:	R290 (GWP=3)
Refrigerant Charge:	110g
Body height:	710 mm
Dimensions:	1780×700×850 mm
Packing dimensions:	1875×800×998 mm
Net / gross weight:	160 Kg / 170 Kg
Net / gross volume:	274 lt / 440 lt
Voltage:	220-240 V - 50 Hz
Total rate:	850W - 3,9A
Cooling capacity:	569 W*
*:	Evap. -30°C Cond. +55°C

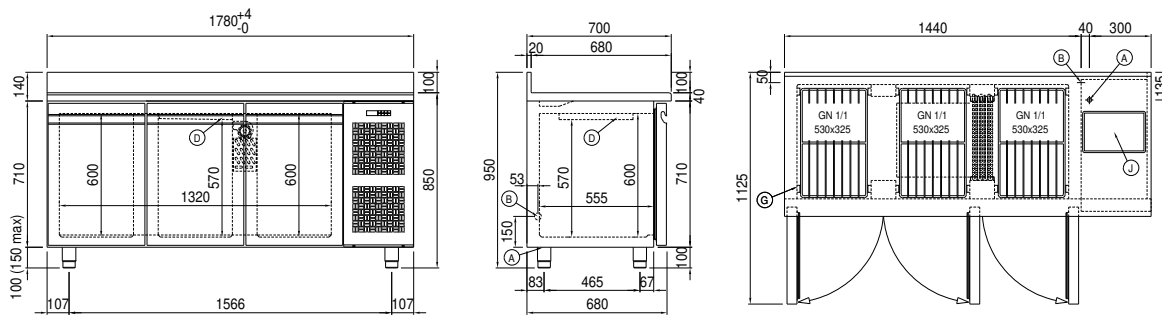
Features

Cosmo:	Predisposed for Cosmo Hub connection
--------	--------------------------------------

COSMO - wi-fi control

Cosmo is The Nice Kitchen's exclusive Wi-Fi technology that allows Coldline, Modular and Nevo appliances to be connected and monitored from a smartphone. The counter, connected with Cosmo kit via cable to a Cosmo hub (MODI, VISION, THAW.PRO, LEVTRONIC, QUBI) or with Cosmo Wi-Fi kit, can be monitored by the CosmoApp and receive alerts in case of abnormal operation.

Technical draw



A: Power supply cable outlet

B: Condensation water drain

D: Airflow conveyor

G: Racks pitch

J: Automatic evaporation of condensing water