

Client _____ Quantity _____

Project _____ Position _____

Arkis GN counter 2 doors

Model: HP13/1M-710

Cod: H80201000201



Technical data

| | |
|--------------------------|---------------------------------|
| Top: | With top |
| Gross capacity: | 280 lt |
| Temperature range: | -2°+8°C |
| Refrigerant unit: | Plug-in |
| Energetic class: | A |
| Energy efficiency index: | 23,3 |
| Annual consumption: | 527 kW/h annum |
| 24h consumption: | 1,444 kW/h/24h |
| Climate class: | 5 |
| Cooling gas: | R290 (GWP=3) |
| Refrigerant Charge: | 110g |
| Defrost: | Hot gas |
| Body height: | 710 mm |
| Valve: | Supplied standard with solenoid |
| Dimensions: | 1300×700×850 mm |
| Packing dimensions: | 1395×800×998 mm |
| Net / gross weight: | 135 Kg / 145 Kg |
| Net / gross volume: | 183 lt / 280 lt |
| Voltage: | 220-240 V - 50 Hz |
| Total rate: | 250W - 1,15A |
| Cooling capacity: | 406 W* |
| *: | Evap. -10°C Cond. +55°C |

Features

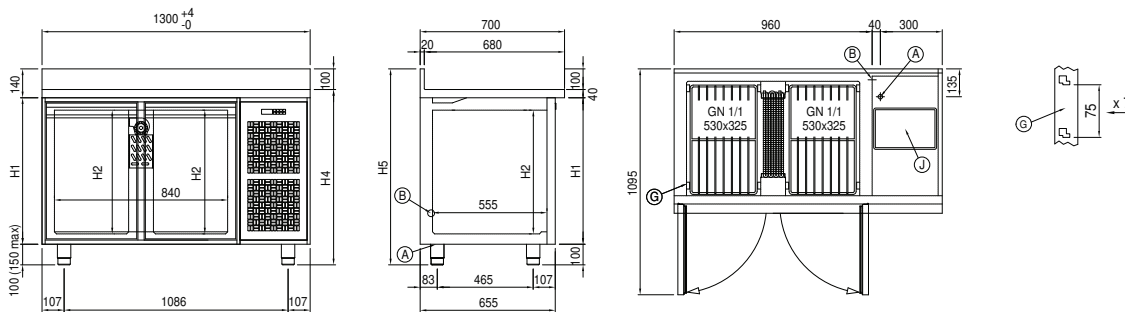
| | |
|------------------------------|--|
| Standard equipment: | 2 slides, 2 plastic coated GN1/1 shelves |
| Control: | Electronic, display flush with the panel |
| Doors: | 2 doors with 180° opening |
| Door gasket: | Magnetic, triple chamber and easily replaceable |
| Insulation: | 60 mm thickness - CFC/HCFC free |
| Exterior/interior finishing: | Exterior interior and back in AISI 304 stainless steel. Base in colaminated steel. |
| Inner corners: | Rounded for easy cleaning and ensuring maximum hygiene |
| Handle: | Stainless steel AISI 304, 2 mm thick |
| Racks and slides: | Stainless steel AISI 304 |
| Feets: | AISI 304 stainless steel adjustable h 100/150 mm |
| Cosmo: | Predisposed for Cosmo Hub connection |

In order to constantly offer the best possible products we reserve the right to make changes on technical specifications without incurring any obligation for equipment previously or subsequently sold.

COSMO - wi-fi control

Cosmo is The Nice Kitchen's exclusive Wi-Fi technology that allows Coldline, Modular and Nevo appliances to be connected and monitored from a smartphone. The counter, connected with Cosmo kit via cable to a Cosmo hub (MODI, VISION, THAW.PRO, LEVTRONIC, QUBI) or with Cosmo Wi-Fi kit, can be monitored by the CosmoApp and receive alerts in case of abnormal operation.

Technical draw



A: Power supply cable outlet

B: Condensation water drain

G: Racks pitch

J: Automatic evaporation of condensing water