

Client \_\_\_\_\_ Quantity \_\_\_\_\_

Project \_\_\_\_\_ Position \_\_\_\_\_

## Arkis GN counter 2 doors

Model: HS13/1MR-SVT-710

Cod: H80220000201



### Technical data

|                     |                                 |
|---------------------|---------------------------------|
| Top:                | Without top                     |
| Gross capacity:     | 280 lt                          |
| Temperature range:  | -2°+8°C                         |
| Refrigerant unit:   | remote                          |
| Cooling gas:        | R452a (GWP=2.141)               |
| Defrost:            | Electric                        |
| Body height:        | 710 mm                          |
| Valve:              | Supplied standard with solenoid |
| Dimensions:         | 1070×655×810 mm                 |
| Packing dimensions: | 1395×800×998 mm                 |
| Net / gross weight: | 85 Kg / 95 Kg                   |
| Net / gross volume: | 183 lt / 280 lt                 |
| Voltage:            | 220-240 V - 50-60 Hz            |
| Total rate:         | 810W - 3,7A                     |
| Cooling capacity:   | 519 W*                          |
| *:                  | Evap. -10°C Cond. +55°C         |

### Features

|                              |  |
|------------------------------|--|
| Standard equipment:          | 2 slides, 2 plastic coated GN1/1 shelves   |
| Control:                     | Electronic, display flush with the panel   |
| Doors:                       | 2 doors with 180° opening  |
| Door gasket:                 | Magnetic, triple chamber and easily replaceable                                    |
| Insulation:                  | 60 mm thickness - CFC/HCFC free  |
| Exterior/interior finishing: | Exterior interior and back in AISI 304 stainless steel. Base in colaminated steel. |
| Inner corners:               | Rounded for easy cleaning and ensuring maximum hygiene                             |
| Handle:                      | Stainless steel AISI 304, 2 mm thick   |
| Racks and slides:            | Stainless steel AISI 304   |
| Feets:                       | AISI 304 stainless steel adjustable h 100/150 mm                                   |
| Cosmo:                       | Predisposed for Cosmo Hub connection   |

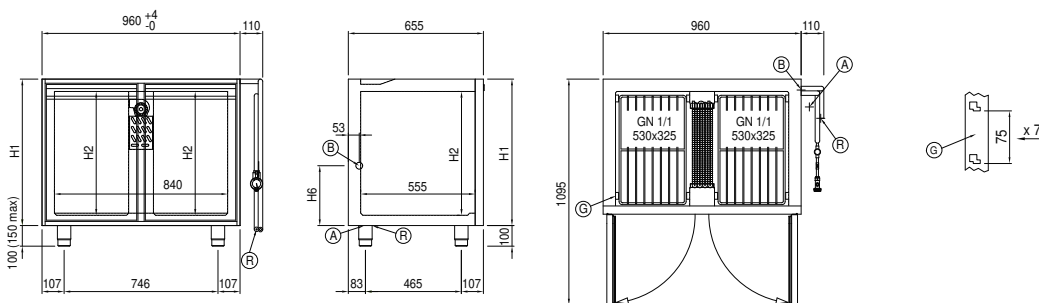
## Remote unit technical data

|                     |                         |
|---------------------|-------------------------|
| Voltage:            | 220-240 V - 50 Hz       |
| Unit total rate :   | 330W - 1,5A             |
| Cooling gas:        | R452A                   |
| Gross weight:       | 17 Kg                   |
| Dimensions:         | 450×300×270 mm          |
| Pipe delivery:      | Ø 1/4"                  |
| Pipe suction:       | Ø 3/8"                  |
| Packing dimensions: | 470×330×300 mm          |
| Cooling capacity:   | Evap. -10°C Cond. +55°C |

## COSMO - wi-fi control

Cosmo is The Nice Kitchen's exclusive Wi-Fi technology that allows Coldline, Modular and Nevo appliances to be connected and monitored from a smartphone. The counter, connected with Cosmo kit via cable to a Cosmo hub (MODI, VISION, THAW.PRO, LEVTRONIC, QUBI) or with Cosmo Wi-Fi kit, can be monitored by the CosmoApp and receive alerts in case of abnormal operation.

## Technical draw



A: Power supply cable outlet

B: Condensation water drain

G: Racks pitch

R: Gas output pipes