

Client _____ Quantity _____
 Project _____ Position _____

Smart 600 cabinet

Model: A60/1NE

Cod: A12060100101



Smart 600 refrigerated cabinet, 1 door. Plug-in refrigeration unit, B energetic class, 5 heavy duty climatic class and R290 ecological refrigerant gas. Equipment: 3 53x53 cm plastic coated shelves, lock with key. Temperature range 0°+10°C; ventilated refrigeration. Anti-corrosion treated evaporator, off cycle automatic defrost. 75 mm insulation thickness - HFO with high insulation performance and low environmental impact (CFC, HCFC, HFC free). PVC handle and magnetic triple chamber door gasket, easily replaceable. Reversible, self-closing door opening with 105° stop. One-piece structure, interior/exterior AISI 304 stainless steel; outside back, external base and inside technical compartment in galvanized/colaminated steel. Rounded inner corners for easy cleaning. The reinforced modular base in colaminated steel allows installation on wheels, feet, mobile or masonry plinths. Replaceable refrigerant system FSS - Fast Service System - for quick and easy service. Predisposed for connection to Cosmo remote supervision system and ModBus/RTU Rs485 connection.

Technical data

Brand:	Coldline
Design:	Refrigerated upright cabinet
Gross capacity:	512 lt
Temperature range:	0°+10°C
Refrigerant unit:	Plug-in
Energetic class:	B
Energy efficiency index:	263
Annual consumption:	358 kW/h annum
24h consumption:	0,98 kW/h/24h
Climate class:	5
Cooling gas:	R290 (GWP=3)
Defrost:	Off cycle automatic
Expansion valve:	Supplied standard with solenoid
Dimensions:	740x715x2085 mm
Packing dimensions:	835x830x2144 mm
Net weight (kg):	125 Kg
Gross weight:	145 Kg
Cooling capacity:	Evap. -10°C Cond. +55°C
Voltage:	220-240 V - 50 Hz
Total rate:	220 W
Absorbed Current:	1,0 A

Features

Standard equipment:	3 coppie guida per griglie 53x53 cm 3 griglie plastificate 53x53 cm Serratura con chiave
Control:	Electronic, display flush with the panel
Doors:	1 door, self-closing with a 105° stop, right hinged
Door gasket:	Magnetic, triple chamber and easily replaceable
Insulation:	75 mm thickness - CFC/HCFC free
Exterior/interior finishing:	Exterior and interior AISI 304 stainless steel. Back, base and internal technical compartment in galvanized/colaminated steel.
Inner corners:	Rounded for easy cleaning and ensuring maximum hygiene
Handle:	In PVC
Racks and slides:	Stainless steel AISI 304
Door gasket:	Magnetic, triple chamber and easily replaceable
Feets:	AISI 304 stainless steel adjustable h 100/150 mm

In order to constantly offer the best possible products we reserve the right to make changes on technical specifications without incurring any obligation for equipment previously or subsequently sold.

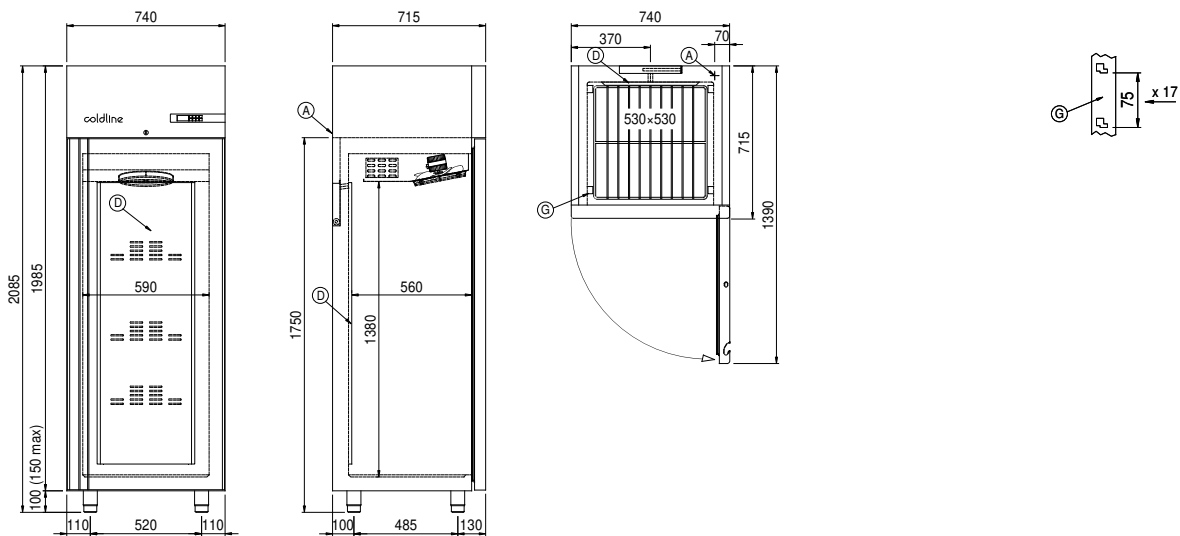
Accessories and variants

Alimentazione frequenza 60Hz	1 door LED lighting
Other special voltage	Plastic coated shelf 53x53
Half doors Smart	Pair of type C slides 505 mm
Frame for fixed masonry plinth	Serial interface, RS485 cable
Foot pedal kit	Cosmo cable connection kit
4 Swivel and brake castors h 128 mm	Cosmo wifi connection kit

COSMO - wi-fi control

Cosmo is The Nice Kitchen's exclusive wi-fi technology that allows Coldline, Modular and Nevo appliances to be connected and monitored from a smartphone. The cabinet, connected with Cosmo kit via cable to a Cosmo hub (MODI, VISION, THAW.PRO, Levtronic, QUBI) or with Cosmo wi-fi kit, can be monitored by the CosmoApp and receive alerts in case of abnormal operation.

Technical draw



A: Power supply cable outlet

D: Airflow conveyor

G: Racks pitch