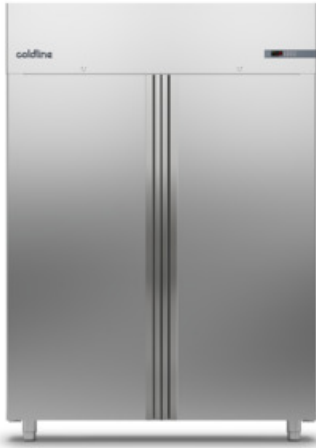


Client _____ Quantity _____
 Project _____ Position _____

Master 1400 cabinet

Model: A140/2NR

Cod: A14141100201



Master 1400 refrigerated cabinet, 2 doors. Remote refrigeration unit, 5 heavy duty climatic class and R452a refrigerant gas. Equipment: 3 GN2/1 plastic coated shelves, lock with key, led lighting. Temperature range 0°+10°C; ventilated refrigeration. Anti-corrosion treated evaporator, off cycle automatic defrost. 75 mm insulation thickness - HFO with high insulation performance and low environmental impact (CFC, HCFC, HFC free). AISI 304 stainless steel handle and magnetic triple chamber door gasket, easily replaceable. Reversible, self-closing door opening with 105° stop. One-piece structure, interior/exterior AISI 304 stainless steel; outside back, external base and inside technical compartment in galvanized/colaminated steel. Rounded inner corners for easy cleaning. The reinforced modular base in colaminated steel allows installation on wheels, feet, mobile or masonry plinths. Replaceable refrigerant system FSS - Fast Service System - for quick and easy service. Predisposed for connection to Cosmo remote supervision system and ModBus/RTU Rs485 connection.

Technical data

| | |
|---------------------|---------------------------------|
| Gross capacity: | 1356 lt |
| Temperature range: | 0°+10°C |
| Refrigerant unit: | remote |
| Cooling gas: | R452a (GWP=2.141) |
| Defrost: | Off cycle automatic |
| Valve: | Supplied standard with solenoid |
| Dimensions: | 1480×815×2085 mm |
| Packing dimensions: | 1575×930×2144 mm |
| Net / gross weight: | 205 Kg / 231 Kg |
| Net / gross volume: | 899 lt / 1356 lt |
| Voltage: | 220-240 V - 50-60 Hz |
| Total rate: | 260W - 1,2A |
| Cooling capacity: | 668 W* |
| *: | Evap. -10°C Cond. +55°C |

Features

| | |
|------------------------------|--|
| Standard equipment: | 6 slides for GN2/1 shelves, 6 plastic coated GN2/1 shelves, lock with key, LED lighting |
| Control: | Electronic, display flush with the panel |
| Doors: | 2 doors, self-closing with a 105° stop, right hinged |
| Door gasket: | Magnetic, triple chamber and easily replaceable |
| Insulation: | 75 mm thickness - CFC/HCFC free |
| Exterior/interior finishing: | Exterior and interior AISI 304 stainless steel. Back, base and internal technical compartment in galvanized/colaminated steel. |
| Inner corners: | Rounded for easy cleaning and ensuring maximum hygiene |
| Handle: | Stainless steel AISI 304, 2 mm thick |
| Racks and slides: | Stainless steel AISI 304 |
| Feets: | AISI 304 stainless steel adjustable h 100/150 mm |
| Cosmo: | Predisposed for Cosmo Hub connection |

Accessories and variants

| | |
|--|---|
| Alimentazione frequenza 60Hz | 4 Swivel and brake castors h 128 mm |
| Other special voltage | Stainless steel shelf GN2/1 |
| Half doors (4 doors) | Plastic coated shelf GN2/1 |
| Frame for fixed masonry plinth | Pair of type C slides 605 mm |
| RAL customisable colouring | Stainless steel drawer, h 150 mm 700/1400 |
| Master Marine solutions | Bottles shelf, stainless steel coating for shelf 700/1400 |
| Predisposition for connection to CO2 remote control unit | Intermediate shelf connection |
| Remote condensing unit NEK6210GK | Serial interface, RS485 cable |
| Foot pedal kit | Cosmo cable connection kit |

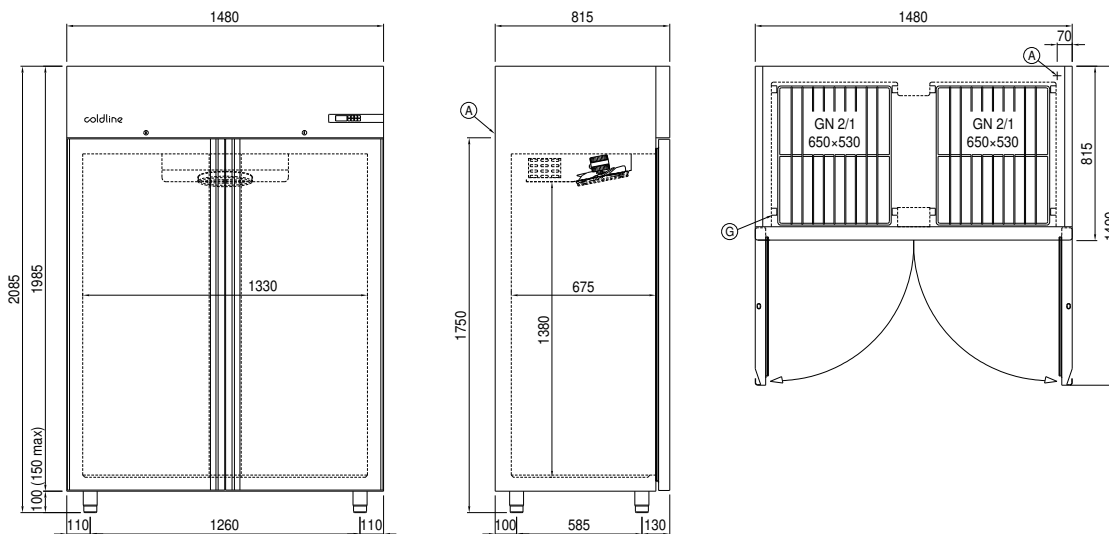
Remote unit technical data

| | |
|----------------------------|-------------------------|
| Voltage: | 220-240 V - 50 Hz |
| Assorbimento Unità Remota: | 500W - 2,3A |
| Cooling gas: | R452A |
| Gross weight: | 16 Kg |
| Dimensions: | 480x330x295 mm |
| Pipe delivery: | Ø 1/4" |
| Pipe suction: | Ø 3/8" |
| Packing dimensions: | 540x345x310 mm |
| Cooling capacity: | Evap. -10°C Cond. +55°C |

COSMO - wi-fi control

Cosmo is The Nice Kitchen's exclusive wi-fi technology that allows Coldline, Modular and Nevo appliances to be connected and monitored from a smartphone. The cabinet, connected with Cosmo kit via cable to a Cosmo hub (MODI, VISION, THAW.PRO, Levtronic, QUBI) or with Cosmo wi-fi kit, can be monitored by the CosmoApp and receive alerts in case of abnormal operation.

Technical draw



A: Power supply cable outlet

D: Airflow conveyer

G: Racks pitch

In order to constantly offer the best possible products we reserve the right to make changes on technical specifications without incurring any obligation for equipment previously or subsequently sold.