

Client _____ Quantity _____
 Project _____ Position _____

Ice 700 cabinet

Model: A70/1BG

Cod: A52070500101



Ice 700 refrigerated cabinet, 1 door. Plug-in refrigeration unit, C energetic class, 5 heavy duty climatic class and R290 ecological refrigerant gas. Equipment: 8 pairs of slides and 8 EN60x40 plastic coated shelves, lock with key, led lighting. Temperature range -10°-22°C; ventilated refrigeration with indirect air flow. hot gas defrost. 75 mm insulation thickness - HFO with high insulation performance and low environmental impact (CFC, HCFC, HFC free). AISI 304 stainless steel handle and magnetic triple chamber door gasket, easily replaceable. Reversible, self-closing door opening with 105° stop. One-piece structure, interior/exterior AISI 304 stainless steel; outside back, external base and inside technical compartment in galvanized/colaminated steel. Rounded inner corners for easy cleaning. The reinforced modular base in colaminated steel allows installation on wheels, feet, mobile or masonry plinths. Replaceable refrigerant system FSS - Fast Service System - for quick and easy service. Predisposed for connection to Cosmo remote supervision system and ModBus/RTU Rs485 connection.

Technical data

| | |
|--------------------------|---------------------------------|
| Gross capacity: | 601 lt |
| Temperature range: | -10°-22°C |
| Refrigerant unit: | Plug-in |
| Energetic class: | C |
| Energy efficiency index: | 43,6 |
| Annual consumption: | 1610 kW/h annum |
| 24h consumption: | 4,408 kW/h/24h |
| Climate class: | 5 |
| Cooling gas: | R290 (GWP=3) |
| Refrigerant Charge: | 150g |
| Defrost: | Hot gas |
| Valve: | Supplied standard with solenoid |
| Dimensions: | 740x815x2085 mm |
| Packing dimensions: | 835x930x2138 mm |
| Net / gross weight: | 150 Kg / 160 Kg |
| Net / gross volume: | 367 lt / 601 lt |
| Voltage: | 220-240 V - 50 Hz |
| Total rate: | 1000W - 4,6A |
| Cooling capacity: | 692 W* |
| *: | Evap. -30°C Cond. +55°C |

Features

| | |
|------------------------------|--|
| Standard equipment: | 8 coppie guida per griglie 53x53 cm 8 griglie plastificate 53x53 cm Serratura con chiave Illuminazione LED |
| Control: | Electronic, display flush with the panel |
| Doors: | 1 door, self-closing with a 105° stop, right hinged |
| Door gasket: | Magnetic, triple chamber and easily replaceable |
| Insulation: | 75 mm thickness - CFC/HCFC free |
| Exterior/interior finishing: | Exterior and interior AISI 304 stainless steel. Back, base and internal technical compartment in galvanized/colaminated steel. |
| Inner corners: | Rounded for easy cleaning and ensuring maximum hygiene |
| Handle: | Stainless steel AISI 304, 2 mm thick |
| Racks and slides: | Stainless steel AISI 304 |
| Feets: | AISI 304 stainless steel adjustable h 100/150 mm |
| Cosmo: | Predisposed for Cosmo Hub connection |

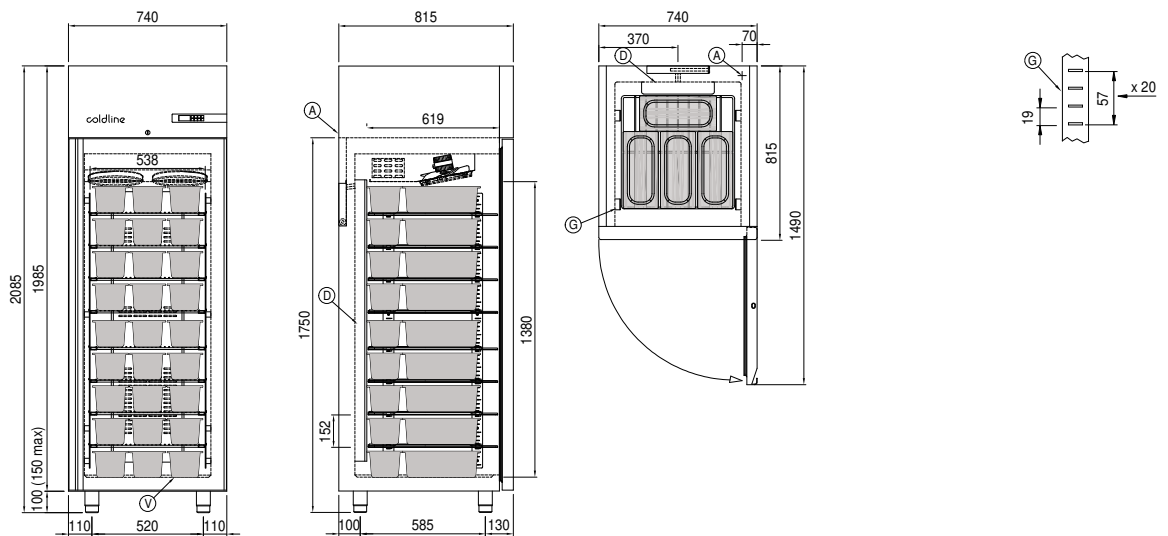
Accessories and variants

| | |
|------------------------------|-------------------------------------|
| Half doors | 4 Swivel and brake castors h 128 mm |
| RAL customisable colouring | Plastic coated shelf 53x53 |
| Plug-in water unit | Pair of type L slides 605 mm EN |
| Alimentazione frequenza 60Hz | Serial interface, RS485 cable |
| Other special voltage | Cosmo cable connection kit |
| Foot pedal kit | Cosmo wifi connection kit |

COSMO - wi-fi control

Cosmo is The Nice Kitchen's exclusive wi-fi technology that allows Coldline, Modular and Nevo appliances to be connected and monitored from a smartphone. The cabinet, connected with Cosmo kit via cable to a Cosmo hub (MODI, VISION, THAW.PRO, Levtronic, QUBI) or with Cosmo wi-fi kit, can be monitored by the CosmoApp and receive alerts in case of abnormal operation.

Technical draw



A: Power supply cable outlet

D: Airflow conveyor

G: Racks pitch

V: Basins 360x165x120h (not included)