

Client _____ Quantity _____
 Project _____ Position _____

Ice 900 cabinet

Model: A90/1BGR

Cod: A52091500101

Ice 900 refrigerated cabinet, 1 door. Remote refrigeration unit, 5 heavy duty climatic class and R452a refrigerant gas. Equipment: 8 pairs of slides and 16 EN60x40 plastic coated shelves, lock with key, led lighting. Temperature range -10°-22°C; ventilated refrigeration with indirect air flow. Electric defrost. 75 mm insulation thickness - HFO with high insulation performance and low environmental impact (CFC, HCFC, HFC free). AISI 304 stainless steel handle and magnetic triple chamber door gasket, easily replaceable. Reversible, self-closing door opening with 105° stop. One-piece structure, interior/exterior AISI 304 stainless steel; outside back, external base and inside technical compartment in galvanized/colaminated steel. Rounded inner corners for easy cleaning. The reinforced modular base in colaminated steel allows installation on wheels, feet, mobile or masonry plinths. Replaceable refrigerant system FSS - Fast Service System - for quick and easy service. Predisposed for connection to Cosmo remote supervision system and ModBus/RTU Rs485 connection.



Technical data

Gross capacity:	872 lt
Temperature range:	-10°-22°C
Refrigerant unit:	remote
Cooling gas:	R452a
Defrost:	Electric
Valve:	Supplied standard with solenoid
Dimensions:	810×1015×2085 mm
Packing dimensions:	905×1130×2258 mm
Gross weight:	170 Kg
Voltage:	220-240 V - 50-60 Hz
Total rate:	1690 W
Absorbed Current:	7,7 A
Cooling capacity:	646 W*
*:	Evap. -30°C Cond. +55°C

Features

Standard equipment:	8 coppie guida per griglie EN60x80 16 griglie plastificate EN60x40 Serratura con chiave Illuminazione LED
Control:	Electronic, display flush with the panel
Doors:	1 door, self-closing with a 105° stop, right hinged
Door gasket:	Magnetic, triple chamber and easily replaceable
Insulation:	75 mm thickness - CFC/HCFC free
Exterior/interior finishing:	Exterior and interior AISI 304 stainless steel. Back, base and internal technical compartment in galvanized/colaminated steel.
Inner corners:	Rounded for easy cleaning and ensuring maximum hygiene
Handle:	Stainless steel AISI 304, 2 mm thick
Racks and slides:	Stainless steel AISI 304
Feets:	AISI 304 stainless steel adjustable h 100/150 mm
Cosmo:	Predisposed for Cosmo Hub connection

Accessories and variants

Half doors	4 Swivel and brake castors h 128 mm
RAL customisable colouring	Stainless steel shelf EN60x40
Predisposition for connection to CO2 remote control unit	Plastic coated shelf EN60x40
Alimentazione frequenza 60Hz	Pair of type L slides 755 mm EN60x80
Other special voltage	Serial interface, RS485 cable
Remote condensing unit NT2180GK	Cosmo cable connection kit
Foot pedal kit	Cosmo wifi connection kit

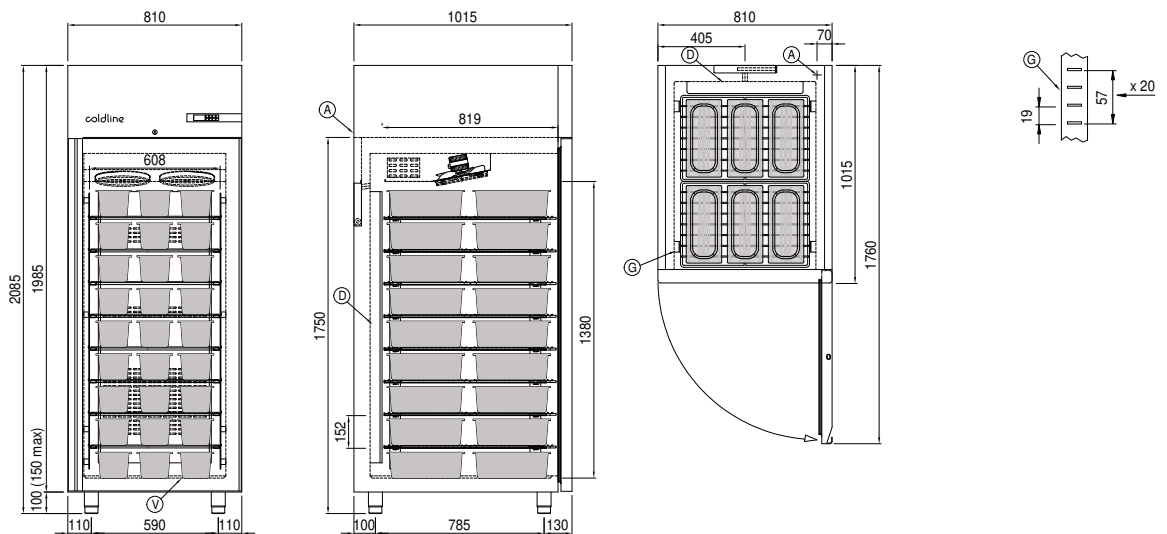
Remote unit technical data

Voltage:	220-240 V - 50 Hz
Cooling gas:	R452A
Gross weight:	30,2 Kg
Dimensions:	500x330x295 mm
Packing dimensions:	540x345x310 mm
Cooling capacity:	Evap. -30°C Cond. +55°C

COSMO - wi-fi control

Cosmo is The Nice Kitchen's exclusive wi-fi technology that allows Coldline, Modular and Nevo appliances to be connected and monitored from a smartphone. The cabinet, connected with Cosmo kit via cable to a Cosmo hub (MODI, VISION, THAW.PRO, Levtronic, QUBI) or with Cosmo wi-fi kit, can be monitored by the CosmoApp and receive alerts in case of abnormal operation.

Technical draw



- | | | | | | |
|-----------|---|-----------|------------------------------------|-----------|-------------|
| A: | Power supply cable outlet | D: | Airflow conveyor | G: | Racks pitch |
| J: | Automatic evaporation of condensing water | V: | Basins 360x165x120h (not included) | | |