

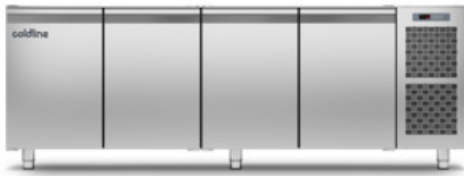
Client \_\_\_\_\_ Quantity \_\_\_\_\_  
 Project \_\_\_\_\_ Position \_\_\_\_\_

## Master GN counter 4 doors

**Model:** TS21/1M-660

**Cod:** T10400000203

Master refrigerated counter 4 doors, counter body height 660 mm, without top. Plug-in refrigeration unit, B energetic class, 5 heavy duty climatic class and R290 ecological refrigerant gas. Temperature range -2°+8°C with ventilated refrigeration. Equipment: 1 GN1/1 plastic coated shelf. Each compartment can be configured with 1/2+1/2, 1/3+2/3, 1/3+1/3+1/3 drawers. Anti-corrosion treated evaporator and hot gas defrosting. 60 mm insulation thickness - HFO with high insulation performance and low environmental impact (CFC, HCFC, HFC free). AISI 304 stainless steel handle and magnetic triple chamber door gasket, easily replaceable. Reversible, self-closing door opening with 105° stop. AISI 304 stainless steel interior/exterior including external back. Rounded inner corners for easy cleaning. The reinforced modular base in colaminated steel allows installation on wheels, feet, mobile or masonry plinths. Replaceable refrigerant system FSS - Fast Service System - for quick and easy service. Prepared for connection to Cosmo - wi-fi remote supervision system - and ModBus/RTU Rs485 connection.



### Technical data

|                                 |                                 |
|---------------------------------|---------------------------------|
| <b>Top:</b>                     | Without top                     |
| <b>Gross capacity:</b>          | 549 lt                          |
| <b>Temperature range:</b>       | -2°+8°C                         |
| <b>Refrigerant unit:</b>        | Plug-in                         |
| <b>Energetic class:</b>         | B                               |
| <b>Energy efficiency index:</b> | 29,3                            |
| <b>Annual consumption:</b>      | 772 kW/h annum                  |
| <b>24h consumption:</b>         | 2,115 kW/h/24h                  |
| <b>Climate class:</b>           | 5                               |
| <b>Cooling gas:</b>             | R290                            |
| <b>Defrost:</b>                 | Hot gas                         |
| <b>Body height:</b>             | 660 mm                          |
| <b>Valve:</b>                   | Supplied standard with solenoid |
| <b>Dimensions:</b>              | 2260×680×760 mm                 |
| <b>Packing dimensions:</b>      | 2355×800×998 mm                 |
| <b>Gross weight:</b>            | 168 Kg                          |
| <b>Voltage:</b>                 | 220-240 V - 50 Hz               |
| <b>Total rate:</b>              | 250 W                           |
| <b>Absorbed Current:</b>        | 1,15 A                          |
| <b>Cooling capacity:</b>        | 406 W*                          |
| <b>*:</b>                       | Evap. -10°C Cond. +55°C         |

### Features

|                                     |  |
|-------------------------------------|--|
| <b>Standard equipment:</b>          | 4 slides, 4 plastic coated GN1/1 shelves   |
| <b>Control:</b>                     | Electronic, display flush with the panel   |
| <b>Doors:</b>                       | 4 doors, self-closing, reversible with 105° stop                                   |
| <b>Door gasket:</b>                 | Magnetic, triple chamber and easily replaceable                                    |
| <b>Insulation:</b>                  | 60 mm thickness - CFC/HCFC free  |
| <b>Exterior/interior finishing:</b> | Exterior interior and back in AISI 304 stainless steel. Base in colaminated steel. |
| <b>Inner corners:</b>               | Rounded for easy cleaning and ensuring maximum hygiene                             |
| <b>Handle:</b>                      | Stainless steel AISI 304, 2 mm thick   |
| <b>Racks and slides:</b>            | Stainless steel AISI 304   |
| <b>Feets:</b>                       | AISI 304 stainless steel adjustable h 100/150 mm                                   |
| <b>Cosmo:</b>                       | Predisposed for Cosmo Hub connection   |

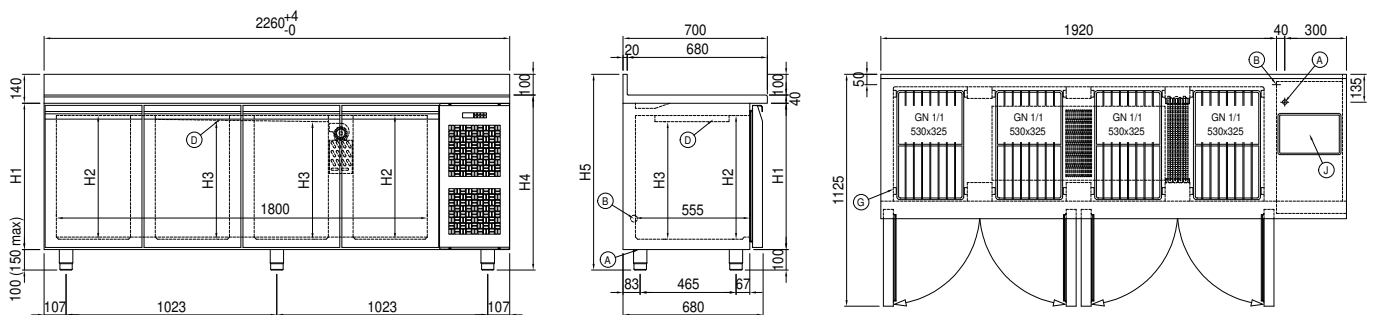
## Accessories and variants

|                                     |  |
|-------------------------------------|--|
| Drawers 1/2                         | Granite worktop with splashback                      |
| Drawers 1/3                         | Service water sink Ø 300 mm                          |
| Drawers 1/3 + 2/3                   | Single lever mixer hole Ø 3/4                        |
| Special counter body heights 650 mm | Adjustable feet h 145/195 mm                         |
| Special counter body heights 700 mm | 6 Swivel and brake castors h 128 mm                  |
| Special counter body heights 750 mm | Brackets for GN pans for drawer                      |
| Technical compartment on the left   | GN1/2 container + lids kit for drawer, h 150 mm      |
| Lock with key for drawer 1/2        | GN1/3 container + lids kit for drawer, h 150 mm      |
| Lock with key for drawer 1/3        | Bottles shelf, stainless steel coating for shelf 350 |
| Lock with key for drawer 1/3 + 2/3  | Stainless steel shelf GN1/1                          |
| LED lighting                        | Plastic coated shelf GN1/1                           |
| RAL customisable colouring          | Pair of type C slides 505 mm                         |
| Plug-in water unit                  | Serial interface, RS485 cable                        |
| Stainless steel evaporator          | Cosmo cable connection kit                           |
| Alimentazione frequenza 60Hz        | Cosmo wifi connection kit                            |
| Other special voltage               | IP44 schuko socket with cover                        |
| Internal hygiene H3                 | Removable plinth GN 4D h 100 mm                      |
| Granite flat worktop                | Removable plinth GN 4D h 150 mm                      |

## COSMO - wi-fi control

Cosmo is The Nice Kitchen's exclusive wi-fi technology that allows Coldline, Modular and Nevo appliances to be connected and monitored from a smartphone. The counter, connected with Cosmo kit via cable to a Cosmo hub (MODI, VISION, THAW.PRO, Levtronic, QUBI) or with Cosmo wi-fi kit, can be monitored by the CosmoApp and receive alerts in case of abnormal operation.

## Technical draw



**A:** Power supply cable outlet

**B:** Condensation water drain

**D:** Airflow conveyor

**G:** Racks pitch

**J:** Automatic evaporation of condensing water