

Client \_\_\_\_\_ Quantity \_\_\_\_\_  
 Project \_\_\_\_\_ Position \_\_\_\_\_

## Master 600 counter 4 doors

**Model:** TS21/1MQR-760

**Cod:** T12410000202

Master 600 refrigerated counter 1 door, counter body height 760 mm, without top. Remote refrigeration unit, 5 heavy duty climatic class and R452a refrigerant gas. Temperature range -2°+8°C with ventilated refrigeration. Equipment: 4 325x430 mm plastic coated shelves. Each compartment can be configured with 1/2+1/2, 1/3+2/3, 1/3+1/3+1/3 drawers. Anti-corrosion treated evaporator and electric defrosting. 60 mm insulation thickness - HFO with high insulation performance and low environmental impact (CFC, HCFC, HFC free). AISI 304 stainless steel handle and magnetic triple chamber door gasket, easily replaceable. Reversible, self-closing door opening with 105° stop. AISI 304 stainless steel interior/exterior including external back. Rounded inner corners for easy cleaning. The reinforced modular base in colaminated steel allows installation on wheels, feet, mobile or masonry plinths. Replaceable refrigerant system FSS - Fast Service System - for quick and easy service. Prepared for connection to Cosmo - wi-fi remote supervision system - and ModBus/RTU Rs485 connection.



### Technical data

|                            |                                 |
|----------------------------|---------------------------------|
| <b>Top:</b>                | Without top                     |
| <b>Gross capacity:</b>     | 532 lt                          |
| <b>Temperature range:</b>  | -2°+8°C                         |
| <b>Refrigerant unit:</b>   | remote                          |
| <b>Cooling gas:</b>        | R452a                           |
| <b>Defrost:</b>            | Electric                        |
| <b>Body height:</b>        | 760 mm                          |
| <b>Valve:</b>              | Supplied standard with solenoid |
| <b>Dimensions:</b>         | 2050×580×860 mm                 |
| <b>Packing dimensions:</b> | 2355×800×998 mm                 |
| <b>Gross weight:</b>       | 152 Kg                          |
| <b>Voltage:</b>            | 220-240 V - 50-60 Hz            |
| <b>Total rate:</b>         | 810 W                           |
| <b>Absorbed Current:</b>   | 3,7 A                           |
| <b>Cooling capacity:</b>   | 668 W*                          |

### Features

|                                     |  |
|-------------------------------------|--|
| <b>Standard equipment:</b>          | 4 slides, 4 plastic coated 325x430 mm shelves                                      |
| <b>Control:</b>                     | Electronic, display flush with the panel   |
| <b>Doors:</b>                       | 4 doors, self-closing, reversible with 105° stop                                   |
| <b>Door gasket:</b>                 | Magnetic, triple chamber and easily replaceable                                    |
| <b>Insulation:</b>                  | 60 mm thickness - CFC/HCFC free  |
| <b>Exterior/interior finishing:</b> | Exterior interior and back in AISI 304 stainless steel. Base in colaminated steel. |
| <b>Inner corners:</b>               | Rounded for easy cleaning and ensuring maximum hygiene                             |
| <b>Handle:</b>                      | Stainless steel AISI 304, 2 mm thick   |
| <b>Racks and slides:</b>            | Stainless steel AISI 304   |
| <b>Feets:</b>                       | AISI 304 stainless steel adjustable h 100/150 mm                                   |
| <b>Cosmo:</b>                       | Predisposed for Cosmo Hub connection   |

## Accessories and variants

|  |   |
|--|---|
| Drawers 1/2  | Other special voltage                           |
| Drawers 1/3  | Internal hygiene H3                             |
| Drawers 1/3 + 2/3  | Granite flat worktop                            |
| Special counter body heights 650 mm                      | Granite worktop with splashback                 |
| Special counter body heights 700 mm                      | Remote condensing unit NEK6210GK                |
| Special counter body heights 750 mm                      | Adjustable feet h 145/195 mm                    |
| Technical compartment on the left                        | 6 Swivel and brake castors h 128 mm             |
| Common technical compartment                             | Brackets for GN pans for drawer                 |
| Counters without a technical compartment                 | GN1/2 container + lids kit for drawer, h 150 mm |
| Lock with key for drawer 1/2                             | GN1/3 container + lids kit for drawer, h 150 mm |
| Lock with key for drawer 1/3                             | Plastic coated shelf 325x430                    |
| Lock with key for drawer 1/3 + 2/3                       | Pair of type C slides 405 mm                    |
| Glass door   | Serial interface, RS485 cable                   |
| LED lighting   | Cosmo cable connection kit                      |
| RAL customisable colouring                               | Cosmo wifi connection kit                       |
| Predisposition for connection to CO2 remote control unit | Removable plinth CQ 4DR h 100 mm                |
| Alimentazione frequenza 60Hz                             | Removable plinth CQ 4DR h 150 mm                |

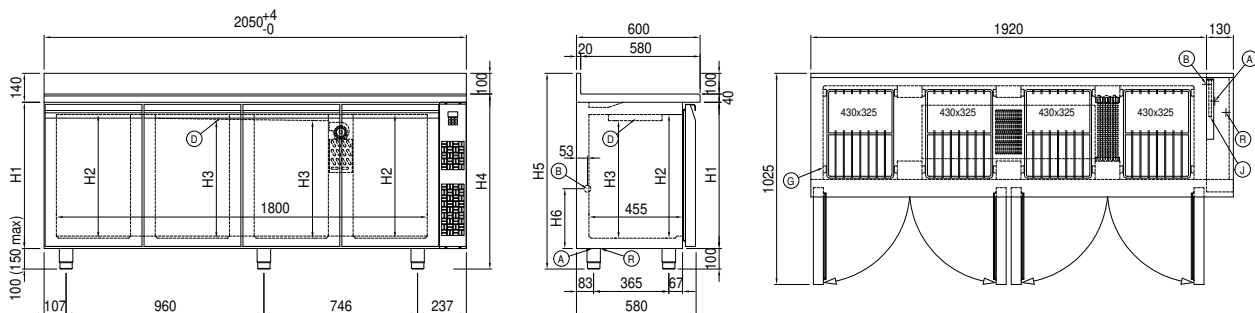
## Remote unit technical data

|                            |                         |
|----------------------------|-------------------------|
| <b>Voltage:</b>            | 220-240 V - 50 Hz       |
| <b>Cooling gas:</b>        | R452A                   |
| <b>Gross weight:</b>       | 16 Kg                   |
| <b>Dimensions:</b>         | 480x330x295 mm          |
| <b>Packing dimensions:</b> | 540x345x310 mm          |
| <b>Cooling capacity:</b>   | Evap. -10°C Cond. +55°C |

## COSMO - wi-fi control

Cosmo is The Nice Kitchen's exclusive wi-fi technology that allows Coldline, Modular and Nevo appliances to be connected and monitored from a smartphone. The counter, connected with Cosmo kit via cable to a Cosmo hub (MODI, VISION, THAW.PRO, Levtronic, QUBI) or with Cosmo wi-fi kit, can be monitored by the CosmoApp and receive alerts in case of abnormal operation.

## Technical draw



|                                     |   |                            |
|-------------------------------------|---|----------------------------|
| <b>A:</b> Power supply cable outlet | <b>B:</b> Condensation water drain                  | <b>D:</b> Airflow conveyor |
| <b>G:</b> Racks pitch               | <b>J:</b> Automatic evaporation of condensing water | <b>R:</b> Gas output pipes |