

Client _____ Quantity _____
 Project _____ Position _____

Pastry EN60x40 counter 3 doors

Model: TS17/1MJR-760

Cod: T20310000202

Pastry refrigerated counter 3 doors, counter body height 760 mm, without top. Remote refrigeration unit, 5 heavy duty climatic class and R452a refrigerant gas. Temperature range -2°+8°C with ventilated refrigeration. Equipment: 12 pairs of slides for EN60x40 shelves. Each compartment can be configured with 1/2+1/2, 1/3+2/3, 1/3+1/3+1/3 drawers. Anti-corrosion treated evaporator and electric defrosting. 60 mm insulation thickness - HFO with high insulation performance and low environmental impact (CFC, HCFC, HFC free). AISI 304 stainless steel handle and magnetic triple chamber door gasket, easily replaceable. Reversible, self-closing door opening with 105° stop. AISI 304 stainless steel interior/exterior including external back. Rounded inner corners for easy cleaning. The reinforced modular base in colaminated steel allows installation on wheels, feet, mobile or masonry plinths. Replaceable refrigerant system FSS - Fast Service System - for quick and easy service. Prepared for connection to Cosmo - wi-fi remote supervision system - and ModBus/RTU Rs485 connection.



Technical data

| | |
|---------------------|---------------------------------|
| Top: | Without top |
| Gross capacity: | 658 lt |
| Temperature range: | -2°+8°C |
| Refrigerant unit: | remote |
| Cooling gas: | R452a (GWP=2.141) |
| Defrost: | Electric |
| Body height: | 760 mm |
| Valve: | Supplied standard with solenoid |
| Dimensions: | 1795×780×860 mm |
| Packing dimensions: | 2100×900×998 mm |
| Net / gross weight: | 124 Kg / 134 Kg |
| Net / gross volume: | 418 lt / 658 lt |
| Voltage: | 220-240 V - 50-60 Hz |
| Total rate: | 810W - 3,7A |
| Cooling capacity: | 668 W* |
| *: | Evap. -10°C Cond. +55°C |

Features

| | |
|------------------------------|--|
| Standard equipment: | 12 slides EN60x40 |
| Control: | Electronic, display flush with the panel |
| Doors: | 3 doors, self-closing, reversible with 105° stop |
| Door gasket: | Magnetic, triple chamber and easily replaceable |
| Insulation: | 60 mm thickness - CFC/HCFC free |
| Exterior/interior finishing: | Exterior interior and back in AISI 304 stainless steel. Base in colaminated steel. |
| Inner corners: | Rounded for easy cleaning and ensuring maximum hygiene |
| Handle: | Stainless steel AISI 304, 2 mm thick |
| Racks and slides: | Stainless steel AISI 304 |
| Feets: | AISI 304 stainless steel adjustable h 100/150 mm |
| Cosmo: | Predisposed for Cosmo Hub connection |

In order to constantly offer the best possible products we reserve the right to make changes on technical specifications without incurring any obligation for equipment previously or subsequently sold.

Accessories and variants

| | |
|--|--|
| Drawers 1/2 | Granite flat worktop |
| Drawers 1/3 | Granite worktop with splashback |
| Drawers 1/3 + 2/3 | Remote condensing unit EMT6165GK |
| Technical compartment on the left | Adjustable feet h 145/195 mm |
| Common technical compartment | 4 Swivel and brake castors h 128 mm |
| Counters without a technical compartment | Aluminium coated backingan EN60x40 h 20 mm |
| Lock with key for drawer 1/2 | Stainless steel shelf EN60x40 |
| Lock with key for drawer 1/3 | Plastic coated shelf EN60x40 |
| Lock with key for drawer 1/3 + 2/3 | Pair of type L slides 605 mm |
| RAL customisable colouring | R134a valve |
| Stainless steel evaporator | Serial interface, RS485 cable |
| Predisposition for connection to CO2 remote control unit | Cosmo cable connection kit |
| Alimentazione frequenza 60Hz | Cosmo wifi connection kit |
| Other special voltage | Removable plinth EN 3DR h 100 mm |
| Internal hygiene H3 | Removable plinth EN 3DR h 150 mm |

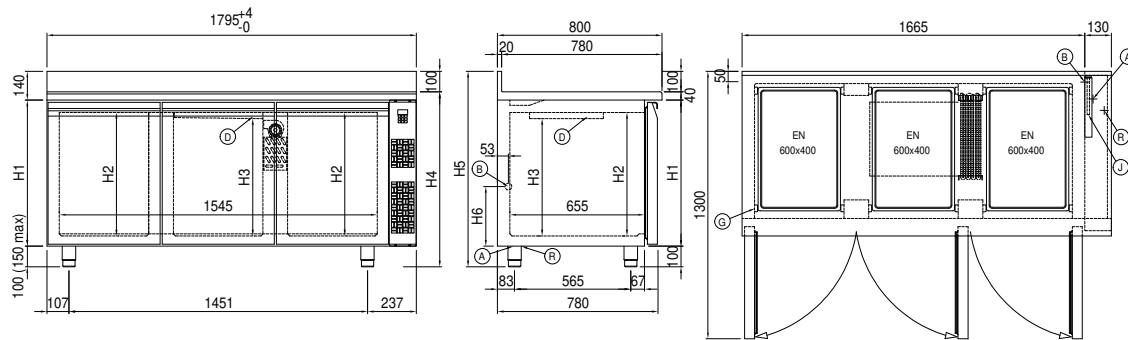
Remote unit technical data

| | |
|---------------------|-------------------------|
| Voltage: | 220-240 V - 50 Hz |
| Unit total rate : | 330W - 1,5A |
| Cooling gas: | R452A |
| Gross weight: | 17 Kg |
| Dimensions: | 450x300x270 mm |
| Pipe delivery: | Ø 1/4" |
| Pipe suction: | Ø 3/8" |
| Packing dimensions: | 470x330x300 mm |
| Cooling capacity: | Evap. -10°C Cond. +55°C |

COSMO - wi-fi control

Cosmo is The Nice Kitchen's exclusive Wi-Fi technology that allows Coldline, Modular and Nevo appliances to be connected and monitored from a smartphone. The counter, connected with Cosmo kit via cable to a Cosmo hub (MODI, VISION, THAW.PRO, LEVTRONIC, QUBI) or with Cosmo Wi-Fi kit, can be monitored by the CosmoApp and receive alerts in case of abnormal operation.

Technical draw



| | | | | | |
|----|---------------------------|----|---|----|------------------|
| A: | Power supply cable outlet | B: | Condensation water drain | D: | Airflow conveyor |
| G: | Racks pitch | J: | Automatic evaporation of condensing water | R: | Gas output pipes |

In order to constantly offer the best possible products we reserve the right to make changes on technical specifications without incurring any obligation for equipment previously or subsequently sold.