

Client \_\_\_\_\_ Quantity \_\_\_\_\_

Project \_\_\_\_\_ Position \_\_\_\_\_

## Pastry EN60x40 counter 4 doors

**Model:** TP21/1BJ-660

**Cod:** T20401000403



### Technical data

<b>Top:</b>	With top
<b>Gross capacity:</b>	757 lt
<b>Temperature range:</b>	-15°-22°C
<b>Refrigerant unit:</b>	Plug-in
<b>Energetic class:</b>	E
<b>Energy efficiency index:</b>	82,5
<b>Annual consumption:</b>	4182 kW/h annum
<b>24h consumption:</b>	11,458 kW/h/24h
<b>Climate class:</b>	5
<b>Cooling gas:</b>	R290
<b>Defrost:</b>	Hot gas
<b>Body height:</b>	660 mm
<b>Valve:</b>	Supplied standard with solenoid
<b>Dimensions:</b>	2560×800×800 mm
<b>Packing dimensions:</b>	2655×900×998 mm
<b>Gross weight:</b>	218 Kg
<b>Voltage:</b>	220-240 V - 50 Hz
<b>Total rate:</b>	850 W
<b>Absorbed Current:</b>	3,9 A
<b>Cooling capacity:</b>	569 W*
<b>*:</b>	Evap. -30°C Cond. +55°C

### Features

<b>Standard equipment:</b>	16 slides EN60x40
<b>Control:</b>	Electronic, display flush with the panel
<b>Doors:</b>	4 doors, self-closing, reversible with 105° stop
<b>Door gasket:</b>	Magnetic, triple chamber and easily replaceable
<b>Insulation:</b>	60 mm thickness - CFC/HCFC free
<b>Exterior/interior finishing:</b>	Exterior interior and back in AISI 304 stainless steel. Base in colaminated steel.
<b>Inner corners:</b>	Rounded for easy cleaning and ensuring maximum hygiene
<b>Handle:</b>	Stainless steel AISI 304, 2 mm thick
<b>Racks and slides:</b>	Stainless steel AISI 304
<b>Feets:</b>	AISI 304 stainless steel adjustable h 100/150 mm
<b>Cosmo:</b>	Predisposed for Cosmo Hub connection

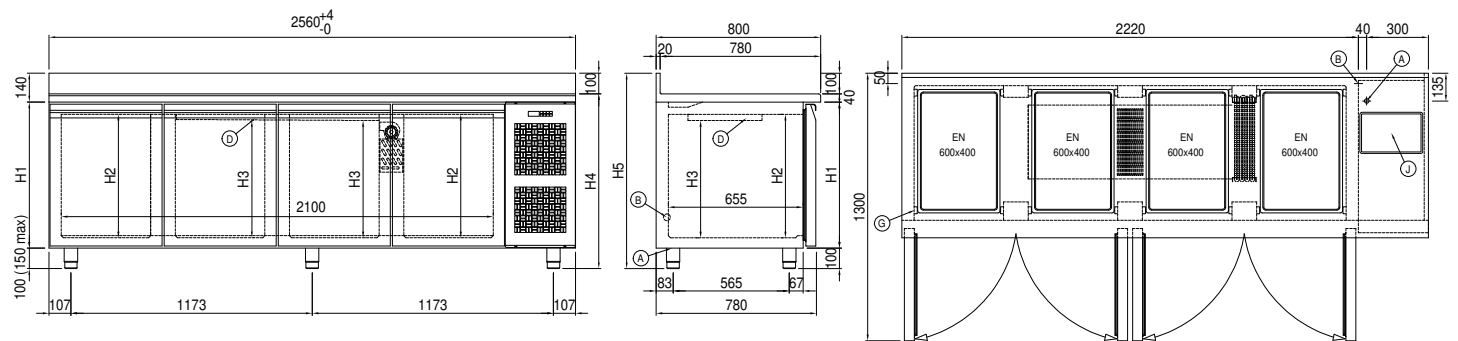
## Accessories and variants

Drawers 1/2	Service water sink Ø 300 mm
Drawers 1/3	Single lever mixer hole Ø 3/4
Drawers 1/3 + 2/3	Adjustable feet h 145/195 mm
Technical compartment on the left	6 Swivel and brake castors h 128 mm
Lock with key for drawer 1/2	Aluminium coated backingan EN60x40 h 20 mm
Lock with key for drawer 1/3	Stainless steel shelf EN60x40
Lock with key for drawer 1/3 + 2/3	Plastic coated shelf EN60x40
RAL customisable colouring	Pair of type L slides 605 mm
Plug-in water unit	IP44 schuko socket with cover
Alimentazione frequenza 60Hz	Serial interface, RS485 cable
Other special voltage	Cosmo cable connection kit
Internal hygiene H3	Removable plinth EN 4D h 50 mm
Granite flat worktop	Removable plinth EN 4D h 100 mm
Granite worktop with splashback	Removable plinth EN 4D h 150 mm

## COSMO - wi-fi control

Cosmo è la tecnologia wi-fi che permette di connettere e monitorare da smartphone gli apparecchi Coldline. Collega i tavoli Pastry ad un Cosmo hub (MODI, VISION o LEVTRONIC) e dall'app potrai controllare le condizioni di funzionamento di ogni macchina e ricevere alert in caso di funzionamento anomalo.

## Technical draw



- |                                     |   |                            |
|-------------------------------------|---|----------------------------|
| <b>A:</b> Power supply cable outlet | <b>B:</b> Condensation water drain                  | <b>D:</b> Airflow conveyor |
| <b>G:</b> Racks pitch               | <b>J:</b> Automatic evaporation of condensing water |                            |