

Client \_\_\_\_\_ Quantity \_\_\_\_\_

Project \_\_\_\_\_ Position \_\_\_\_\_

## Pizza Base EN60x40 counter 2 doors

Model: TZS13/1MR-760

Cod: T40210000202



### Technical data

---

Top:	Without top
Gross capacity:	421 lt
Temperature range:	-2°+8°C
Refrigerant unit:	remote
Cooling gas:	R452a (GWP=2.141)
Defrost:	Electric
Body height:	760 mm
Valve:	Supplied standard with solenoid
Dimensions:	1240×780×860 mm
Packing dimensions:	1545×900×998 mm
Net / gross weight:	96 Kg / 106 Kg
Net / gross volume:	278 lt / 421 lt
Voltage:	220-240 V - 50-60 Hz
Total rate:	810W - 3,7A
Cooling capacity:	519 W*
*:	Evap. -10°C Cond. +55°C

### Features

---

Standard equipment:	8 slides EN60x40
Control:	Electronic, display flush with the panel
Doors:	2 doors, self-closing, reversible with 105° stop
Door gasket:	Magnetic, triple chamber and easily replaceable
Insulation:	60 mm thickness - CFC/HCFC free
Exterior/interior finishing:	Exterior and interior AISI 304 stainless steel.
Inner corners:	Rounded for easy cleaning and ensuring maximum hygiene
Handle:	Stainless steel AISI 304, 2 mm thick
Racks and slides:	Stainless steel AISI 304
Feets:	AISI 304 stainless steel adjustable h 100/150 mm
Cosmo:	Predisposed for Cosmo Hub connection

## Accessories and variants

Drawers 1/2	1+1 Neutral drawers h 760 mm
Drawers 1/3	Adjustable feet h 145/195 mm
Drawers 1/3 + 2/3	4 Swivel and brake castors h 128 mm
Lock with key for drawer 1/2	Frame fitted with telescopic EN60x40 slides
Lock with key for drawer 1/3	EN60x40 Pizza container h 60 mm
Lock with key for drawer 1/3 + 2/3	Aluminium coated backingan EN60x40 h 20 mm
Predisposition for connection to CO2 remote control unit	Pair of type L slides 605 mm
Alimentazione frequenza 60Hz	Serial interface, RS485 cable
Other special voltage	Cosmo cable connection kit
Remote condensing unit EMT6165GK	Cosmo wifi connection kit
7 Neutral drawers h 760 mm	Removable plinth EN 2DR h 100 mm
3+1 Neutral drawers h 760 mm	Removable plinth EN 2DR h 150 mm

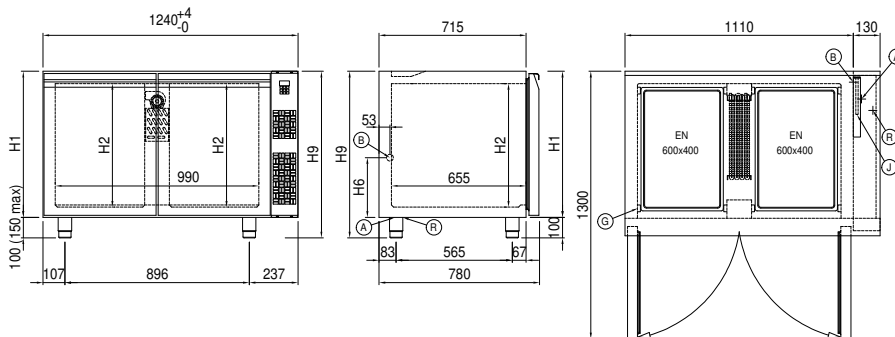
## Remote unit technical data

Voltage:	220-240 V - 50 Hz
Assorbimento Unità Remota:	330W - 1,5A
Cooling gas:	R452A
Gross weight:	17 Kg
Dimensions:	450x300x270
Pipe delivery:	Ø 1/4"
Pipe suction:	Ø 3/8"
Packing dimensions:	470x330x300 mm
Cooling capacity:	Evap. -10°C Cond. +55°C

## COSMO - wi-fi control

Cosmo è l'esclusiva tecnologia wi-fi di The Nice Kitchen che permette di connettere e monitorare da smartphone gli apparecchi Coldline, Modular e Nevo. Il tavolo, collegato con kit Cosmo via cavo ad un Cosmo hub (MODI, VISION, THAW.PRO, Levtronic, QUBI) o con kit Cosmo wi-fi, può essere monitorato dalla CosmoApp e ricevere alert in caso di funzionamento anomalo.

## Technical draw



A: Power supply cable outlet

B: Condensation water drain

G: Racks pitch

J: Automatic evaporation of condensing water

R: Gas output pipes