

Client _____ Quantity _____
 Project _____ Position _____

Modi Active Roll-in Blast Chiller

Model: W20KA

Cod: W12206000001



Modi multifunction blast chiller 20 trays Active version, Roll-in, temperature range -40°+65°C. It is equipped with the functions: blast chilling, blast freezing, manual cycle, thawing, proving, holding, desiccation, chocolate. Plug-In refrigeration system with air condensation with R452a refrigerant gas. 4.3" touch screen and operating mode with customisable recipes, by time or with core probe. Adjustable ventilation 25-100%. Blast chilling yield +90/+3°C - 88 Kg; blast freezing yield +90/-18°C - 62 Kg. 5 heavy duty climatic class, forced air defrost. 75 mm insulation thickness - HFO with high insulation performance and low environmental impact (CFC, HCFC, HFC free). Electronic expansion valve and anti-corrosion painted evaporator. Easily replaceable triple chamber magnetic gasket and core probe with screw connector. Exterior and interior AISI 304 stainless steel, removable fan unit and condenser cover. For GN1/1-EN60x40 trolleys. ModBus/RTU Rs485 connection as standard. Cosmo: wi-fi connection for remote monitoring via Cosmo App. When wired to Coldline counters and cabinets acts as a hub for remote monitoring of connected equipment.

Technical data

Gross capacity:	977 lt
Temperature range:	-40°+65°C
Ventilation range:	25% - 100%
Humidifier:	Not available
Refrigerant unit:	Plug-in
Yield +90/+3:	88 Kg
Yield +90/-18:	62 Kg
Climate class:	5
Cooling gas:	R452a
Defrost:	Forced air
Valve:	Electronic expansion valve
Dimensions:	810×1015×2240 mm
Packing dimensions:	905×1130×2365 mm
Gross weight:	240 Kg
Voltage:	400-415 V - 50-60 Hz
Total rate:	7450 W
Absorbed Current:	17,28 A
Cooling capacity:	7751 W*
*:	Evap. -10°C Cond. +45°C

Features

Functions:	Blast chilling, shock freezing, thawing, proving, holding, desiccation, chocolate, manual cycle
Control:	4,3" touch screen display with USB port
Doors:	Cushioned, with anti-odor system
Door gasket:	Magnetic, triple chamber and easily replaceable
Core probe:	Needle probe with 1 reading point, quick-release and easily replaceable
Insulation:	75 mm thickness - CFC/HCFC free
Exterior/interior finishing:	Exterior and interior AISI 304 stainless steel.
Inner corners:	Rounded for easy cleaning and ensuring maximum hygiene
Handle:	Stainless steel AISI 304, 2 mm thick
Racks and slides:	Stainless steel AISI 304, quick release
Cosmo:	Wi-Fi remote control system

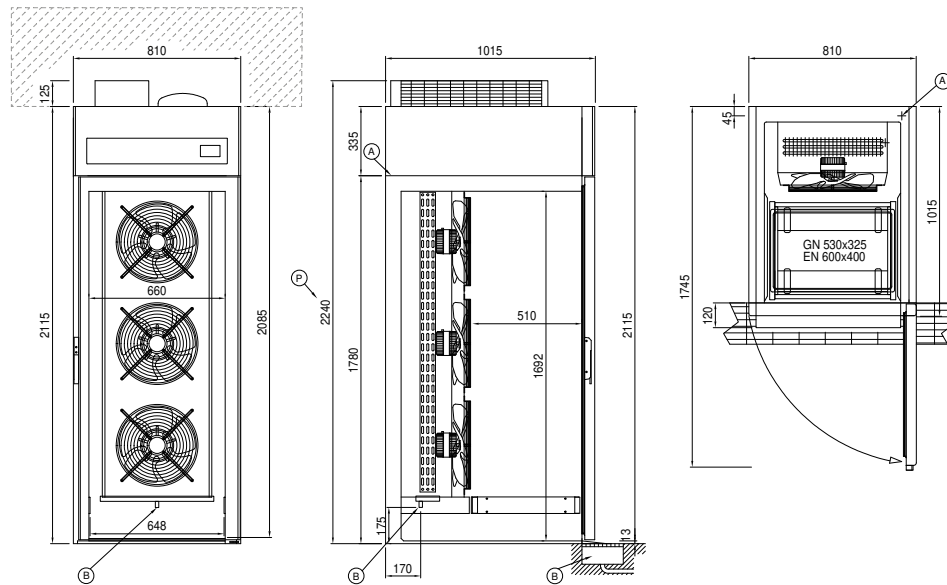
Accessories and variants

Sonda al cuore a 3 punti di lettura	Alimentazione Trifase 50Hz oppure 60Hz
Sonda al cuore riscaldata a 1 punto di lettura	Alimentazione frequenza 60Hz
Reverse door opening from standard	Other special voltage
Alimentazione Monofase 50Hz oppure 60Hz	Trolley GN1/1 20 trays 598x530x1630 mm

COSMO - wi-fi control

Cosmo is The Nice Kitchen's exclusive wi-fi technology that allows MODI blast chillers to be connected, updated and monitored from smartphones. MODI is also a Cosmo hub and allows remote supervision of the Coldline appliances connected to it. From the CosmoApp you can check the operating conditions of each machine and receive alerts in the event of abnormal operation.

Technical draw



A: Power supply cable outlet

B: Condensation water drain

Q: Plug-In

R: Gas output pipes