

Client _____ Quantity _____
 Project _____ Position _____

Modi Active Power Blast Chiller

Model: W20PAER

Cod: W2119810001

Modi multifunction blast chiller Power 20 trays Active version, temperature range -40°+65°C. It is equipped with the functions: blast chilling, blast freezing, manual cycle, thawing, proving, holding, desiccation, chocolate. Remote cooling system with R452a refrigerant gas. 4.3" touch screen and operating mode with customisable recipes, by time or with core probe. Adjustable ventilation 25-100%. Blast chilling yield +90/+3°C - 80 Kg; blast freezing yield +90/-18°C - 60 Kg. 5 heavy duty climatic class, forced air defrost. 60 mm insulation thickness - HFO with high insulation performance and low environmental impact (CFC, HCFC, HFC free). Mechanical expansion valve and anti-corrosion painted evaporator. Cushioned door with anti-odour system with Easily replaceable triple chamber magnetic gasket and core probe with screw connector. Exterior and interior AISI 304 stainless steel, removable fan unit and condenser cover. Equipment: 10 EN60x80 pairs of slides. ModBus/RTU Rs485 connection as standard. Cosmo: wi-fi connection for remote monitoring via Cosmo App. When wired to Coldline counters and cabinets acts as a hub for remote monitoring of connected equipment.



Technical data

| | |
|----------------------------|----------------------|
| Top: | 4 cm thickness |
| Gross capacity: | 513 lt |
| Temperature range: | -40°+65°C |
| Ventilation range: | 25% - 100% |
| Humidifier: | Not available |
| Refrigerant unit: | remote |
| Yield +90/+3: | 80 Kg |
| Yield +90/-18: | 60 Kg |
| Cooling gas: | R452a |
| Defrost: | Forced air |
| Valve: | Mechanical expansion |
| Dimensions: | 1100×1045×1843 mm |
| Packing dimensions: | 1180×1125×1905 mm |
| Gross weight: | 180 Kg |
| Voltage: | 400-415 V - 50-60 Hz |

Features

| | |
|-------------------------------------|---|
| Functions: | Blast chilling, shock freezing, thawing, proving, holding, desiccation, chocolate, manual cycle |
| Standard equipment: | 10 slides EN60x80 |
| Control: | 4,3" touch screen display with USB port |
| Doors: | With odour control system |
| Door gasket: | Magnetic, triple chamber and easily replaceable |
| Core probe: | Needle probe with 1 reading point, quick-release and easily replaceable |
| Insulation: | 60 mm thickness - CFC/HCFC free |
| Exterior/interior finishing: | Exterior and interior AISI 304 stainless steel. |
| Inner corners: | Rounded for easy cleaning and ensuring maximum hygiene |
| Handle: | Stainless steel AISI 304, 2 mm thick |
| Racks and slides: | Stainless steel AISI 304, quick release |
| Feets: | AISI 304 stainless steel adjustable h 100/150 mm |
| Cosmo: | Wi-Fi remote control system |

Accessories and variants

| | |
|--|---|
| RAL customisable colouring | Open remote condensing unit W20TP |
| Sonda al cuore a 3 punti di lettura | Silenced faired remote condensing unit W20T |
| Sonda al cuore riscaldata a 1 punto di lettura | Lowered foot h 55/70 mm |
| Reverse door opening from standard | 4 Swivel and brake castors h 128 mm |
| Alimentazione Monofase 50Hz oppure 60Hz | Aluminium coated backingan EN60x40 h 20 mm |
| Alimentazione Trifase 50Hz oppure 60Hz | Stainless steel shelf EN60x40 |
| Alimentazione frequenza 60Hz | Plastic coated shelf EN60x40 |
| Other special voltage | Pair of type L slides 755 mm EN60x80 |

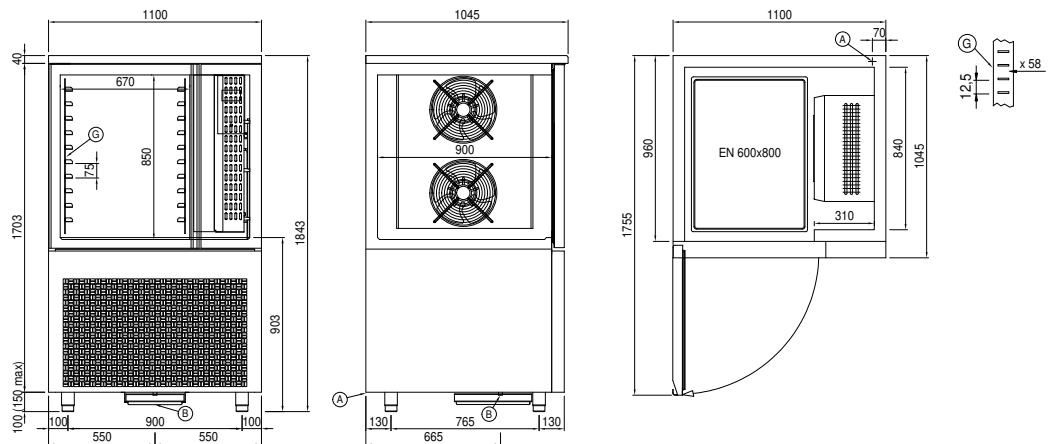
Remote unit technical data

| | |
|--------------------------|-------------------------|
| Voltage: | 400-415 V - 50-60 Hz |
| Cooling gas: | R404-R452a |
| Gross weight: | 80 Kg |
| Dimensions: | 1030x980x590 mm |
| Cooling capacity: | Evap. -10°C Cond. +45°C |

COSMO - wi-fi control

Cosmo is The Nice Kitchen's exclusive wi-fi technology that allows MODI blast chillers to be connected, updated and monitored from smartphones. MODI is also a Cosmo hub and allows remote supervision of the Coldline appliances connected to it. From the CosmoApp you can check the operating conditions of each machine and receive alerts in the event of abnormal operation.

Technical draw



A: Power supply cable outlet

B: Condensation water drain

G: Racks pitch