

Client \_\_\_\_\_ Quantity \_\_\_\_\_  
 Project \_\_\_\_\_ Position \_\_\_\_\_

## Master GN counter 3 doors

Model: TS17/1M-710

Cod: T10300000201

Master refrigerated counter 3 doors, counter body height 710 mm, without top. Plug-in refrigeration unit, A energetic class, 5 heavy duty climatic class and R290 ecological refrigerant gas. Temperature range -2°+8°C with ventilated refrigeration. Equipment: 1 GN1/1 plastic coated shelf. Each compartment can be configured with 1/2+1/2, 1/3+2/3, 1/3+1/3+1/3 drawers. Anti-corrosion treated evaporator and hot gas defrosting. 60 mm insulation thickness - HFO with high insulation performance and low environmental impact (CFC, HCFC, HFC free). AISI 304 stainless steel handle and magnetic triple chamber door gasket, easily replaceable. Reversible, self-closing door opening with 105° stop. AISI 304 stainless steel interior/exterior including external back. Rounded inner corners for easy cleaning. The reinforced modular base in colaminated steel allows installation on wheels, feet, mobile or masonry plinths. Replaceable refrigerant system FSS - Fast Service System - for quick and easy service. Prepared for connection to Cosmo - wi-fi remote supervision system - and ModBus/RTU Rs485 connection.



### Technical data

|                          |                                 |
|--------------------------|---------------------------------|
| Top:                     | Without top                     |
| Gross capacity:          | 440 lt                          |
| Temperature range:       | -2°+8°C                         |
| Refrigerant unit:        | Plug-in                         |
| Energetic class:         | A                               |
| Energy efficiency index: | 24,7                            |
| Annual consumption:      | 616 kW/h annum                  |
| 24h consumption:         | 1,688 kW/h/24h                  |
| Climate class:           | 5                               |
| Cooling gas:             | R290                            |
| Defrost:                 | Hot gas                         |
| Body height:             | 710 mm                          |
| Valve:                   | Supplied standard with solenoid |
| Dimensions:              | 1780×680×810 mm                 |
| Packing dimensions:      | 1875×800×998 mm                 |
| Gross weight:            | 145 Kg                          |
| Voltage:                 | 220-240 V - 50 Hz               |
| Total rate:              | 250 W                           |
| Absorbed Current:        | 1,15 A                          |
| Cooling capacity:        | 406 W*                          |
| *:                       | Evap. -10°C Cond. +55°C         |

### Features

|                              |  |
|------------------------------|--|
| Standard equipment:          | 3 slides, 3 plastic coated GN1/1 shelves   |
| Control:                     | Electronic, display flush with the panel   |
| Doors:                       | 3 doors, self-closing, reversible with 105° stop                                   |
| Door gasket:                 | Magnetic, triple chamber and easily replaceable                                    |
| Insulation:                  | 60 mm thickness - CFC/HCFC free  |
| Exterior/interior finishing: | Exterior interior and back in AISI 304 stainless steel. Base in colaminated steel. |
| Inner corners:               | Rounded for easy cleaning and ensuring maximum hygiene                             |
| Handle:                      | Stainless steel AISI 304, 2 mm thick   |
| Racks and slides:            | Stainless steel AISI 304   |
| Feets:                       | AISI 304 stainless steel adjustable h 100/150 mm                                   |
| Cosmo:                       | Predisposed for Cosmo Hub connection   |

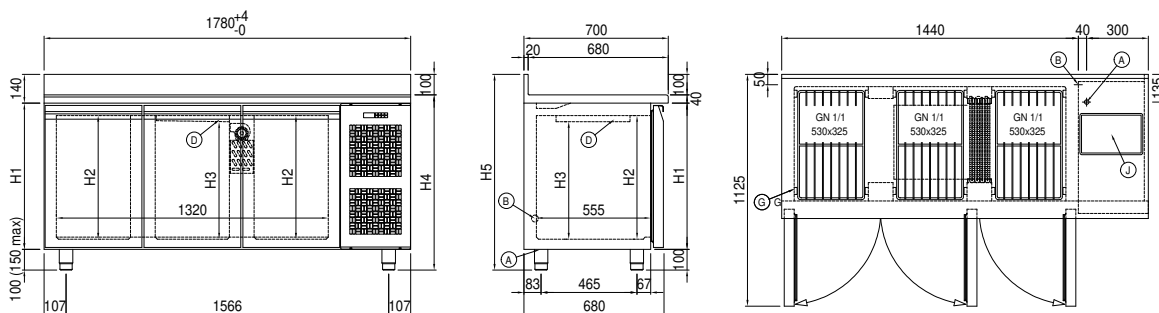
## Accessories and variants

|                                     |  |
|-------------------------------------|--|
| Drawers 1/2                         | Granite flat worktop                                 |
| Drawers 1/3                         | Granite worktop with splashback                      |
| Drawers 1/3 + 2/3                   | Service water sink Ø 300 mm                          |
| Special counter body heights 650 mm | Single lever mixer hole Ø 3/4                        |
| Special counter body heights 700 mm | Adjustable feet h 145/195 mm                         |
| Special counter body heights 750 mm | 4 Swivel and brake castors h 128 mm                  |
| Technical compartment on the left   | Brackets for GN pans for drawer                      |
| Lock with key for drawer 1/2        | GN1/2 container + lids kit for drawer, h 150 mm      |
| Lock with key for drawer 1/3        | GN1/3 container + lids kit for drawer, h 150 mm      |
| Lock with key for drawer 1/3 + 2/3  | Bottles shelf, stainless steel coating for shelf 350 |
| Glass door                          | Stainless steel shelf GN1/1                          |
| LED lighting                        | Plastic coated shelf GN1/1                           |
| RAL customisable colouring          | Pair of type C slides 505 mm                         |
| Plug-in water unit                  | Serial interface, RS485 cable                        |
| Stainless steel evaporator          | Cosmo cable connection kit                           |
| Alimentazione frequenza 60Hz        | Cosmo wifi connection kit                            |
| Other special voltage               | IP44 schuko socket with cover                        |
| Internal hygiene H3                 | Removable plinth GN 3D h 100 mm                      |

## COSMO - wi-fi control

Cosmo is The Nice Kitchen's exclusive wi-fi technology that allows Coldline, Modular and Nevo appliances to be connected and monitored from a smartphone. The counter, connected with Cosmo kit via cable to a Cosmo hub (MODI, VISION, THAW.PRO, Levtronic, QUBI) or with Cosmo wi-fi kit, can be monitored by the CosmoApp and receive alerts in case of abnormal operation.

## Technical draw



- |                                     |   |                            |
|-------------------------------------|---|----------------------------|
| <b>A:</b> Power supply cable outlet | <b>B:</b> Condensation water drain                  | <b>D:</b> Airflow conveyor |
| <b>G:</b> Racks pitch               | <b>J:</b> Automatic evaporation of condensing water |                            |